



ASSEMBLY INSTRUCTION

RCAC3F-X-000

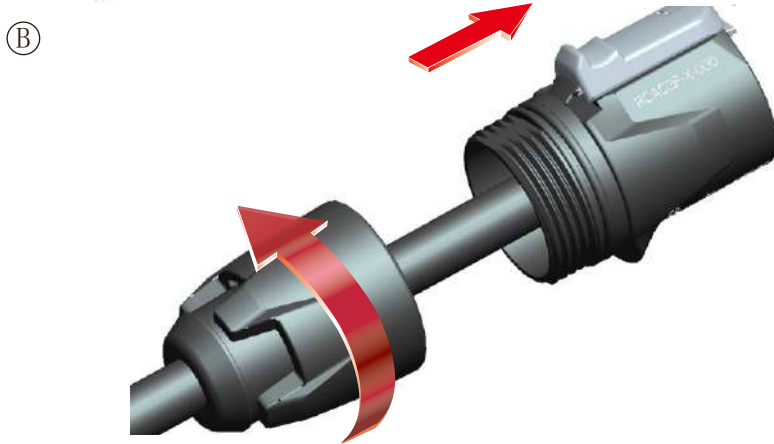
Power Cable Connector

A. ASSEMBLY INSTRUCTION

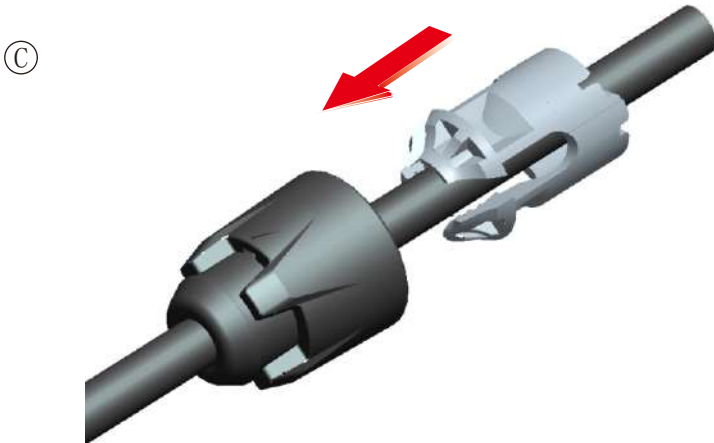


Ⓐ Insert cable into the bushing and housing.

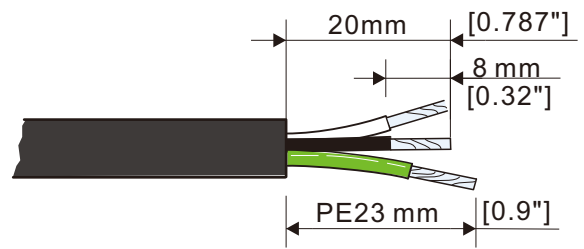
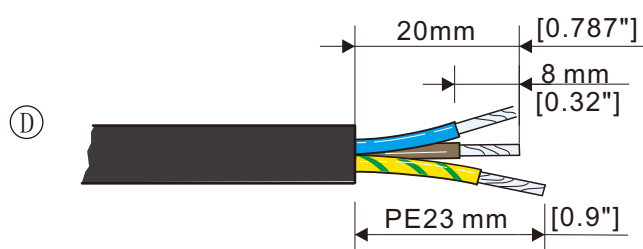
Note: "Apply cable pulling lubricant to cable jacket."



Ⓑ Separate the housing from the bushing (cable remain in bushing)

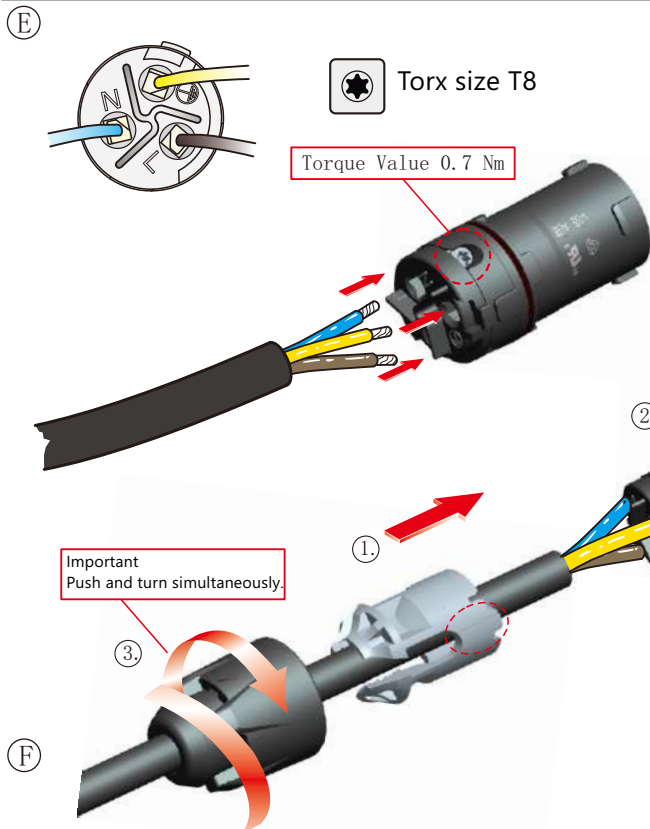


Ⓒ Place chuck over the cable.



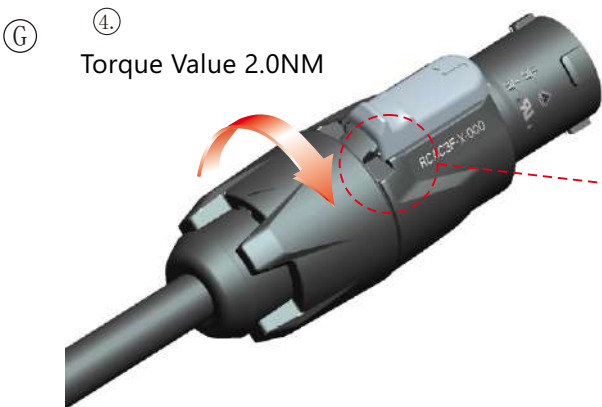
VDE (EN 60320-1/EN60320-2-2)

UL (UL 60320-1/CSA C22.2 NO.60320-1)



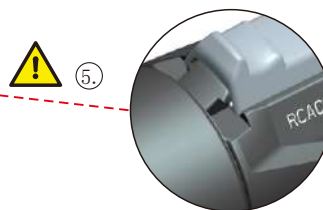
Ⓔ Slide the cable into the contacts and clamp with the screw with Torx size T8.

Wiring	VDE	UL
L	brown	black
N	blue	white
⏏	green/yellow	green



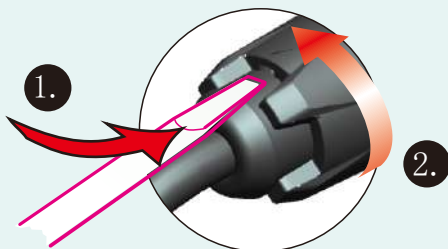
Ⓖ Slide chuck onto insert (1) and then both into housing (2). Important: Align the chuck by positioning the nose into keyway.

Ⓖ Slide the cable clamp (3) bushing up the cable and tighten it. Important: Black O-ring to hide to achieve IP protection (6)



FOR DISASSEMBLY - OPEN TWIST LOCK!

- ① Press with screw driver to unlock
- ② Turn bushing 360
- ③ Repeat step ①.+②. until bushing is unscrewed.



CAUTION

To ensure protection category, do not expose the connection to bending forces (e.g. do not attach loads to the cable, no free-dangling cable windings etc.).



XLR Cable Connectors:
Find more details on
www.rean-connectors.com



B. ASSEMBLY INSTRUCTION

Application:

The power con system is certified as a connector with breaking capacity according to IEC60320,VDE 0625.It is intended for use as an appliance coupler and interconnect coupler.

It serves to supply power to an appliance and from an appliance to other equipment.

To be installed by qualified person only.

CONNECTOR ASSIGNMENT

APPLIANCE INLET

RRAC3M-X-000

Power IN



RCAC3F-X-000
(Connector)

APPLIANCE OUTLET

RRAC3F-X-000

Power OUT



RCAC3M-X-000
(Plug connector)

Approval based:	VDE IEC 60320-1/EN 60320-1		UL UL 60320-1/CSA C22.2 NO.60320-1	
Rating:	250V ac/16A		250V ac/20A	
Cable Type:	H05VV-F3G 1.0mm ² ,Length max. 2m H05VV-F3G 1.5mm ² H07RN-F3G 1.5mm ²		SJTOW,SJOOW 3X12 AWG	
Strain Relief:	White chuck		White chuck	
Cable O.D.:	6.0 - 12.0 mm		6.0 - 12.0 mm	

UL50E environmental rating

Enclosure Type when mated with attachment plug RRAC3M-X-000 with Sealing Cover RA-X-001 and RRAC3F-X-000 with sealing cover RA-X-003.